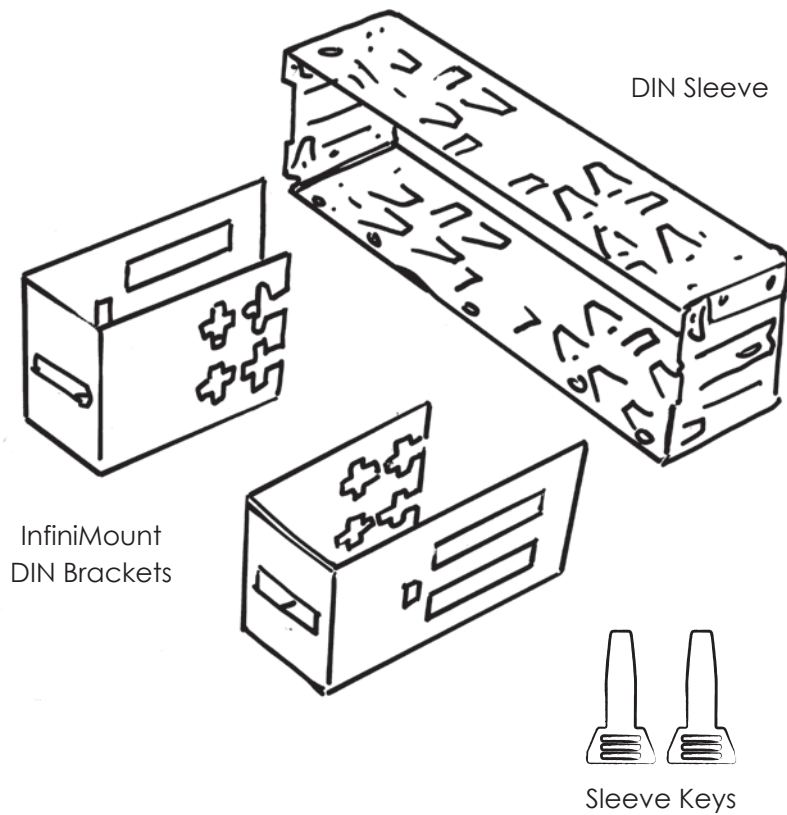


RetroSound®

DIN Repair Kit Installation Instructions

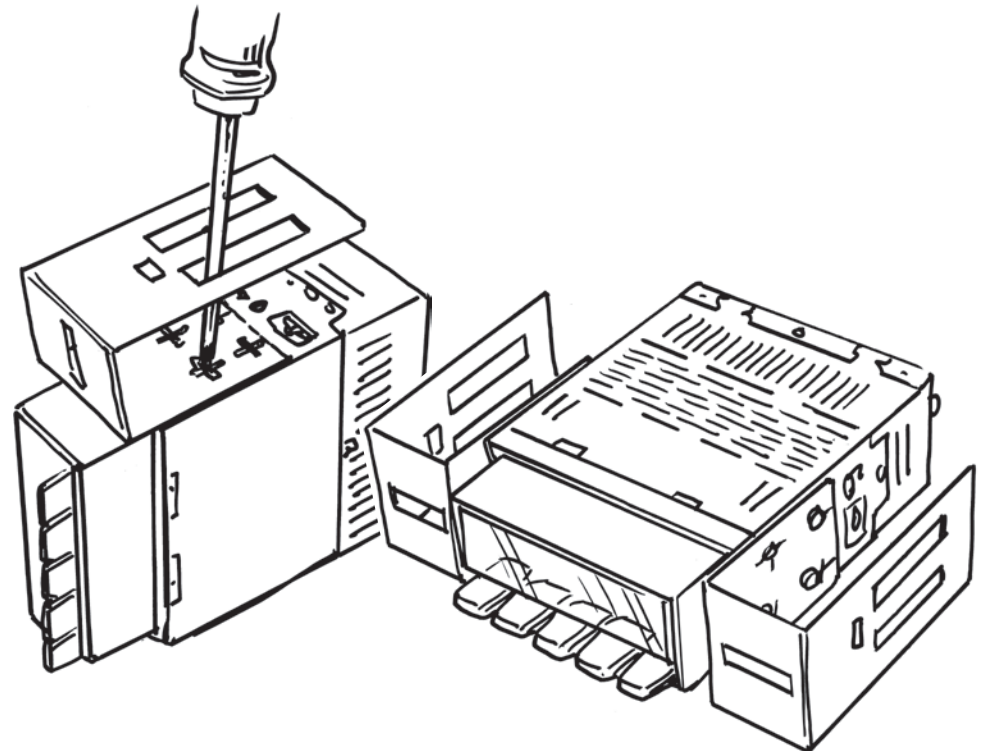
What's in the Box



294 DIN Repair Kit

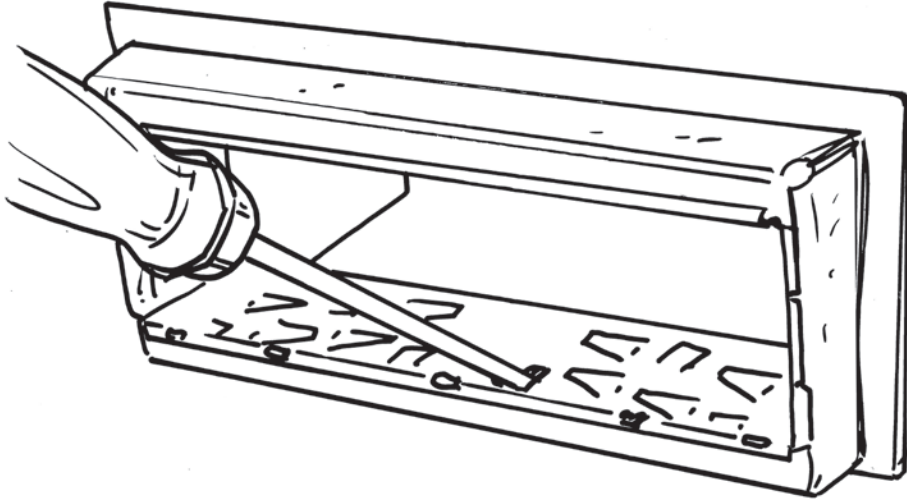
Step 1

Using the 4 screws included in the box with your radio, install the InfiniMount DIN Brackets (included with this kit) to the sides of the radio. Adjust the brackets as necessary for the correct fit into your vehicle. Be careful not to bend the brackets to insure proper fitment into the DIN Sleeve.



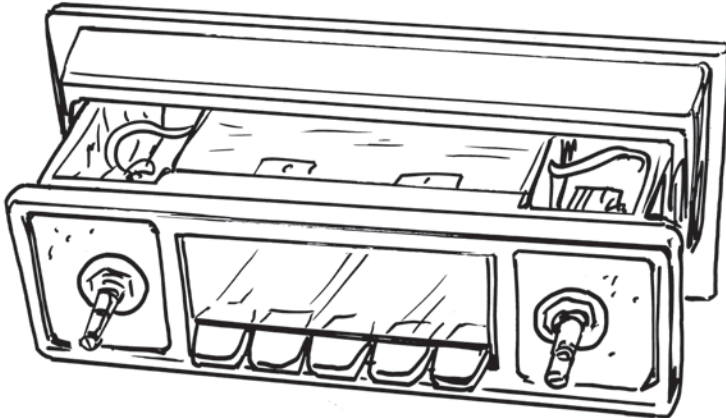
Step 2

Insert the DIN Sleeve into your dash opening. Using a screwdriver, push down the sleeve tabs on all four sides of the DIN Sleeve to secure it into the dash opening.



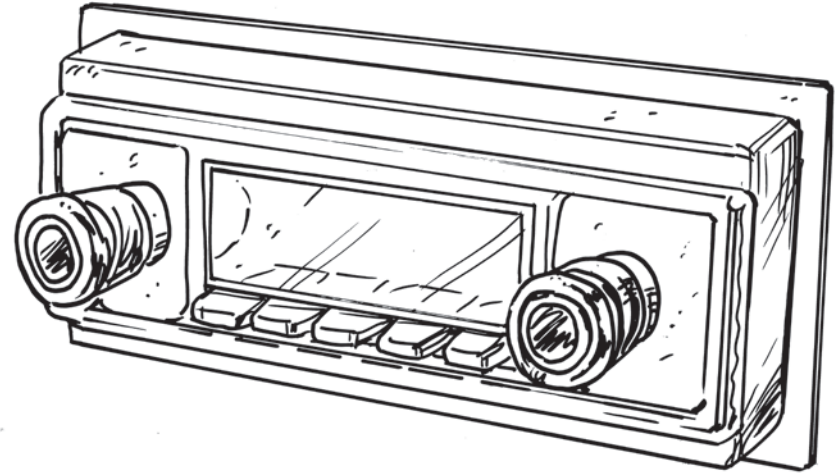
Step 3

Install the shafts to the InfiniMount DIN Brackets and through the holes in your faceplate following the instructions that came with your radio. Make sure the knobs do not stick out too far and the radio face aligns flush with the faceplate.



Step 4

Slide the radio assembly into the DIN Sleeve. If adjustments must be made after sliding the radio into place, use the included Sleeve Keys to remove the assembly from the DIN Sleeve. Once the radio is mounted, install the back-strap to the rear of the radio following the instructions that came with your radio. Finish the installation by mounting the front and rear knobs.



Retro[®]
MANUFACTURING

Retro Manufacturing, LLC

7470 Commercial Way

Henderson, NV 89011

Phone: 702.483.2222

Fax: 702.483.2229

tech@retromanufacturing.com

www.retromanufacturing.com