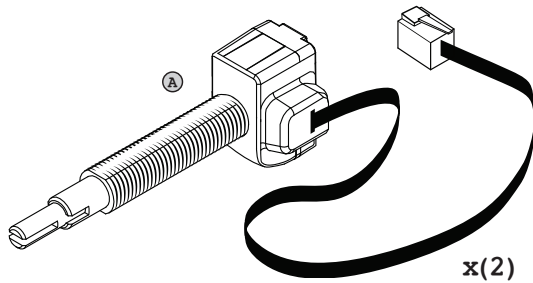


What's in the Box

Newport Face

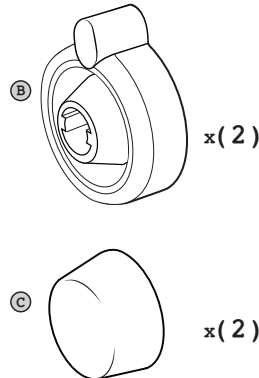


Shafts



x(2)

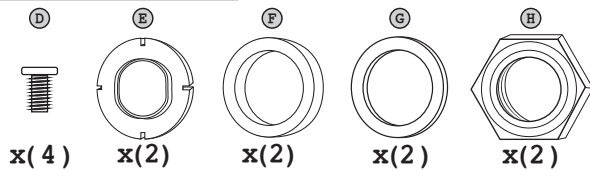
Knobs



x(2)

x(2)

Hardware



x(4)

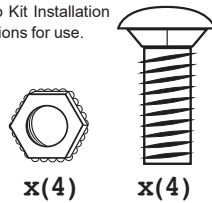
x(2)

x(2)

x(2)

x(2)

Refer to Kit Installation Instructions for use.

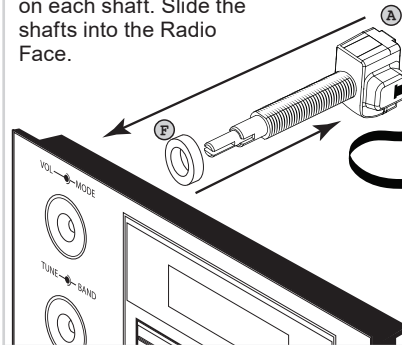


x(4)

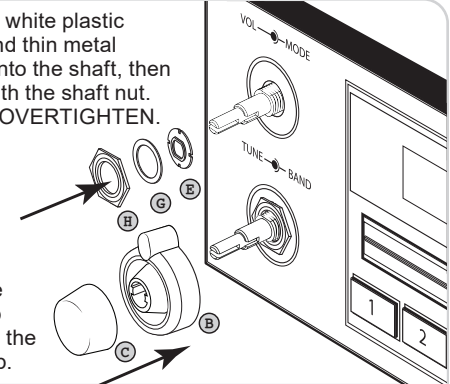
x(4)

Installation

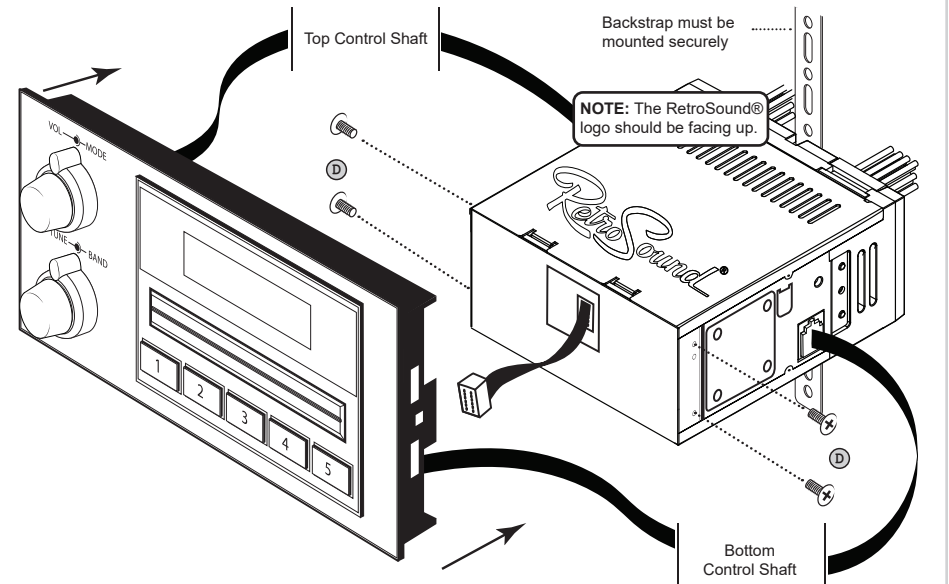
Place a metal spacer on each shaft. Slide the shafts into the Radio Face.



Place the white plastic spacer and thin metal washer onto the shaft, then secure with the shaft nut. DO NOT OVERTIGHTEN.



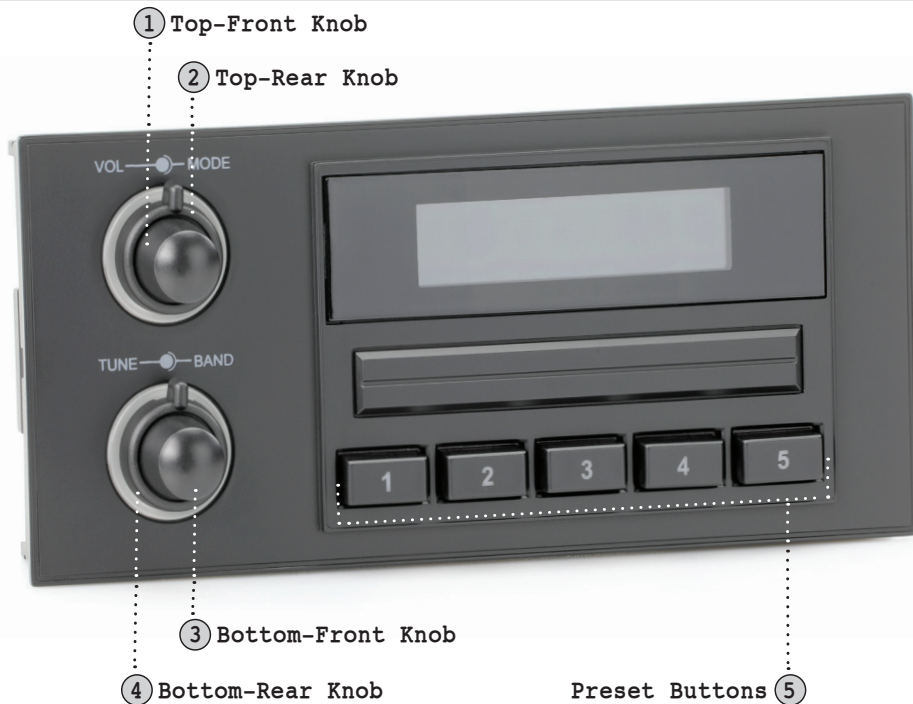
Install the rear knob first, then the front knob.



Plug the ribbon cable from the Radio Motor into the Radio Face. Attach the Radio Face to the Radio Motor with the four small screws. With the Radio facing towards you, plug the top Control Shaft into the left side of the Radio Motor. Plug the bottom Control Shaft into the right side of the Radio Motor.

Refer to the user manual included in your motor box or on our website for more comprehensive instructions.

Control Layout



Radio Presets

Setting Radio Presets

To set a preset, tune to the station you want to set the preset to then press and hold the desired Preset Button(5) for two seconds.

Recalling Radio Presets

To recall a preset, simply press the Preset Button(5) your station was set to previously.

Basic Operation

Power On/Off

Press the Top-Front Knob(1) to power the unit on.
Press and hold the Top-Front Knob(1) to power the unit off.

Volume

Rotate the Top-Front Knob(1) to change the volume.

Changing Source Modes

Rotate the Top-Rear Knob(2) clockwise to cycle through the source modes.

Changing Radio Bands

Rotate the Bottom-Rear Knob(4) counter-clockwise to cycle through the radio bands.

Tune

Rotate the Bottom-Front Knob(3) to scroll through the stations.

Mute On/Off

Press the Bottom-Front Knob(3) to mute and unmute.

Equalizer (EQ)

Press the Top-Front Knob(1) to enter the Tone Control sub-menu. Press and release the Top-Front Knob(1) until you see the EQ setting you'd like to adjust. Rotate the Top-Front Knob(1) to adjust the setting. Press the Top-Front Knob(1) to move to the next item, and repeat to adjust each option. Let the unit time out to set.

Setting the Clock

Press and hold the Bottom-Front Knob(3) to enter the System Settings sub-menu. Rotate the Bottom-Front Knob(3) to cycle through the choices until you see CLK, then press the Bottom-Front Knob(3) to select. Rotate the Bottom-Front Knob(3) to adjust the hours. Then press the Bottom-Front Knob(3) again to move on to minutes. Rotate the Bottom-Front Knob(3) to adjust the minutes. Let the unit time out to set.

Display Color*

Press and hold the Bottom-Front Knob(3) to enter the System Settings sub-menu. Rotate the Bottom-Front Knob(3) to cycle through the choices until you see SCAN, then press the Bottom-Front Knob(3) to cycle through the colors. Let the unit time out to set.

Beep On/Off

Press and hold the Bottom-Front Knob(3) to enter the System Settings sub-menu. Rotate the Bottom-Front Knob(3) to cycle through the choices until you see BEEP ON/OFF, then press the Bottom-Front Knob(3) to choose between BEEP ON or BEEP OFF. Let the unit time out to set.

*Some features are not available on all radios.