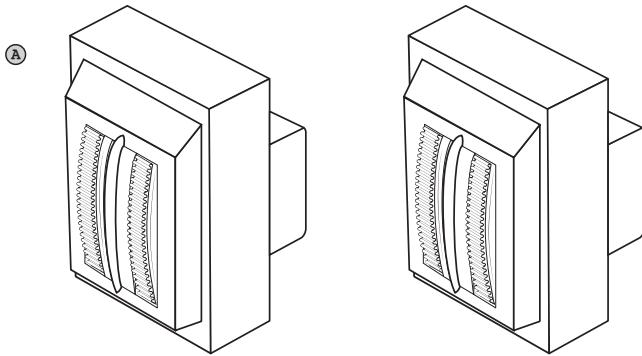


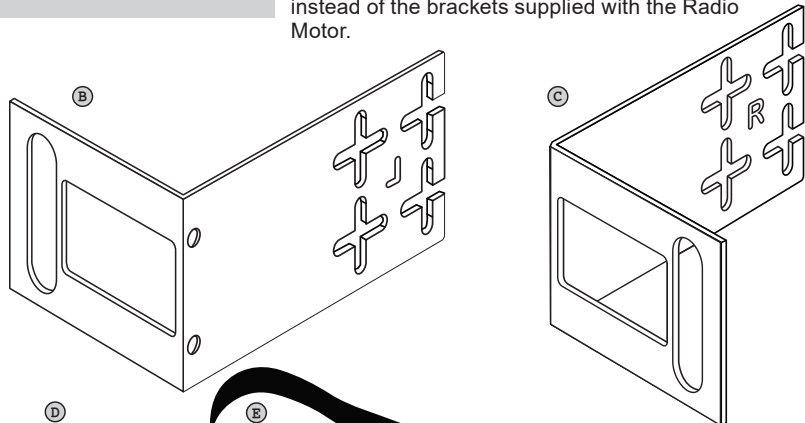
What's in the Box

Thumb-rollers

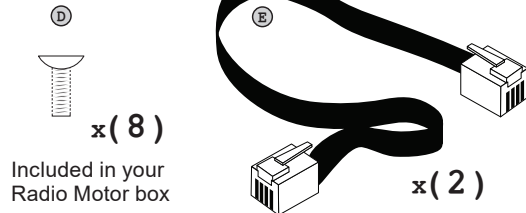
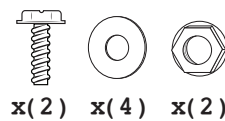


Hardware

Use these brackets for Thumb-roller installation instead of the brackets supplied with the Radio Motor.



F Optional hardware



Installation

CONTINUE:

Instructions continued from the Radio Face Quick Start Guide.

5 **InfiniMount Brackets**

Attach each InfiniMount Bracket to the Radio Motor with the eight small screws.

6 **Thumb-rollers**

Insert the Thumb-rollers into the InfiniMount brackets. Gently push to snap into place.

7 **Radio Installation**

Connect the Thumb-rollers

Connect the Thumb-rollers

Secure the radio with the backstrap.

Complete the installation by inserting the unit into the dash opening and securing with the backstrap.

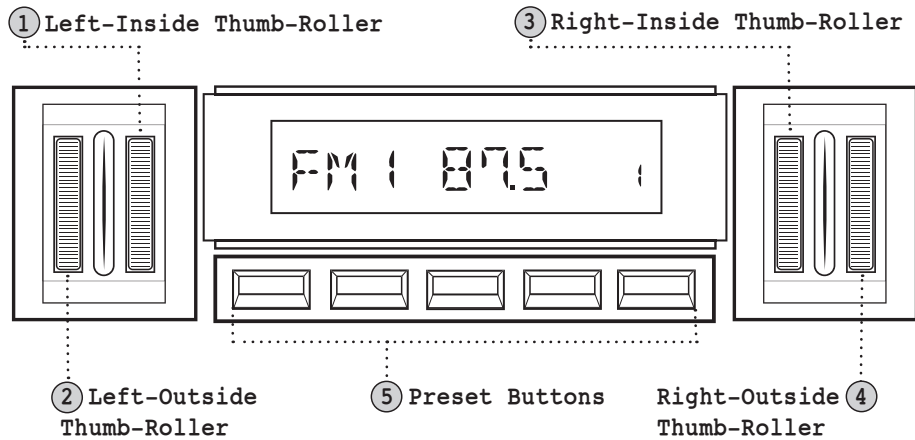
Use the optional hardware(F) if needed to mount the unit to the dash.

Refer to the user manual included in your motor box or on our website for more comprehensive instructions.



Modern Sound For Your Classic

Control Layout



Control Setup & Reset

The following steps must be performed to set up the Radio Motor to function with the Redondo Thumb-Roller controls. Press and hold the Left-Inside Thumb-Roller(1) for approximately 15 seconds to reboot the radio into SEL PANEL mode. While holding the Power Button the unit will display the following sequence: **RETROSOUND>RADIO>GOODBYE>TIME DISPLAY>SEL PANEL**, continue holding the thumb-roller until **SEL PANEL** is displayed. Once SEL PANEL is displayed release the Left-Inside Thumb-Roller(1) and immediately press and release the Left-Inside Thumb-Roller (1) to cycle through the choices until REDONDO appears. The Display will Flash REDONDO 5 times and will turn off. Your Radio Motor is now configured to work with your selected face.

Radio Presets

Setting Radio Presets

To set a preset, tune to the station you want to set the preset to, and then press and hold the desired Preset Button(5) for two seconds.

Recalling Radio Presets

To recall a preset, simply press the Preset Button(5) your station was set to previously.

Basic Operation

Power On/Off

Press the Left-Inside Thumb-Roller(1) to power the unit on.
Press and hold the Left-Inside Thumb-Roller(1) to power the unit off.

Volume

Rotate the Left-Outside Thumb-Roller(2) up or down to change the volume.

Changing Source Modes

Rotate the Left-Inside Thumb-Roller(1) down to cycle through the source modes.

Changing Radio Bands

Rotate the Right-Inside Thumb-Roller(3) up to cycle through the radio bands.

Tune

Rotate the Right-Outside Thumb-Roller(4) to scroll through the stations.

Mute On/Off

Press the Right-Outside Thumb-Roller(4) to mute and unmute.

Equalizer (EQ)

Press the Left-Outside Thumb-Roller(2) to enter the Tone Control sub-menu. Press and release the Left-Outside Thumb-Roller(2) until you see the EQ setting you'd like to adjust. Rotate the Left-Outside Thumb-Roller(2) up or down to adjust the setting. Press the Left-Outside Thumb-Roller(2) to move to the next item, and repeat to adjust each option. Let the unit time out to set.

Setting the Clock

Press and hold the Right-Inside Thumb-Roller(3) to enter the System Settings sub-menu. Rotate the Right-Outside Thumb-Roller(4) to cycle through the choices until you see CLK, then press the Right-Outside Thumb-Roller(4) to select. Rotate the Right-Outside Thumb-Roller(4) up or down to adjust the hours. Then press the Right-Outside Thumb-Roller(4) again to move on to minutes. Rotate the Right-Outside Thumb-Roller(4) up or down to adjust the minutes. Let the unit time out to setup .

Display Color*

Press and hold the Right-Inside Thumb-Roller(3) to enter the System Settings sub-menu. Rotate the Right-Outside Thumb-Roller(4) to cycle through the choices until you see SCAN, then press the Right-Outside Thumb-Roller(4) to cycle through the colors. Let the unit time out to set.

Beep On/Off

Press and hold the Right-Inside Thumb-Roller(3) to enter the System Settings sub-menu. Rotate the Right-Outside Thumb-Roller(4) to cycle through the choices until you see BEEP ON/OFF, then press the Right-Outside Thumb-Roller(4) to choose between BEEP ON or BEEP OFF. Let the unit time out to set.

*Some features are not available on all radios.